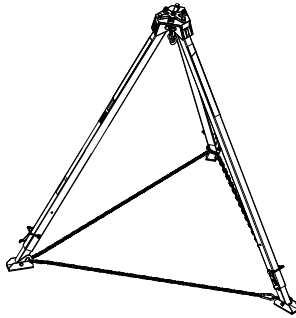




**Trusted
Quality Fall
Protection**

Protecta Aluminum Tripod User Instructions



This manual is intended to meet the Manufacturer's Instructions as required by the following standards and should be used as part of an employee training program as required by OSHA:



ANSI Z359.1-2007
Z359.4-2007

Refer to local, state, and federal (OSHA) requirements governing occupational safety for additional information regarding Personal Fall Arrest Systems.

WARNING: This product is part of a Personal Fall Arrest System¹. The user must read and follow the manufacturer's instructions for each component or part of the complete system. These instructions must be provided to the user of this equipment. The user must read and understand these instructions or have them explained to them before using this equipment. Manufacturer's instructions must be followed for proper use and maintenance of this product. Alterations or misuse of this product or failure to follow instructions may result in serious injury or death.

IMPORTANT: If you have questions on the use, care, or suitability of this equipment for your application, contact Capital Safety.

DESCRIPTION

The aluminum the is a confined space and rescue tripod.

APPLICATIONS

The Protecta AK105A Tripod is used for confined space shaft and manhole entry and retrieval. An optional Mounting Bracket can be used with the Tripod to mount an SRL as part of a Personal Fall Arrest System (PFAS) where a combination of worker mobility and fall protection is required. Mounting Brackets and SRLs are sold separately.

TRAINING

This equipment is intended to be used by persons trained in its correct application and use. It is the responsibility of the user to assure they are familiar with these instructions and are trained in the correct care and use of this equipment. Users must also be aware of the operating characteristics, application limits, and the consequences of improper use.

LIMITATIONS & REQUIREMENTS

Always consider the product limitations and installation and use requirements specified in the installation and user instructions supplied with other components of the Personal Fall Arrest System (PFAS).

¹ PERSONAL FALL ARREST SYSTEM: An assembly of components and subsystems used to arrest a person in a free fall.

COMPATIBILITY

System Compatibility: The Protecta AK105A Tripod is designed for use with Protecta approved components and subsystems only. Substitutions or replacements made with unauthorized components or subsystems may jeopardize compatibility of equipment and may affect the safety of the entire system.

INSTALLATION

Plan your fall protection system before starting your work. Account for all factors that may affect your safety before, during, and after a fall.

Refer to the following Figures for Tripod set up, use and takedown.

Figure 1 - Remove Tripod from Carry Bag and Stand Vertically

Grip the head of the tripod and lift the tripod assembly from the carrying bag.

Stand the tripod vertically. Swing each of the three legs out until each leg is in the locked position.

An audible "click" will be heard as each leg snaps into the locked position.

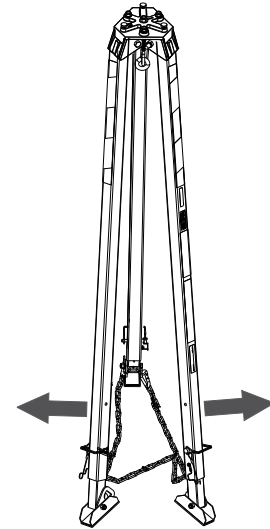


Figure 2 - Locking Pins in Locked Position

For all tripod legs to be secured in the locked position, each of the three leg locking pins must be flush with the top of the tripod head.

A = Unlocked Pins

B = Locked Pins

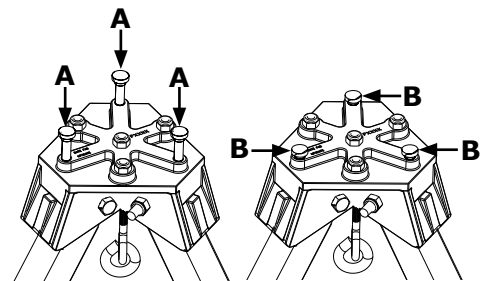


Figure 3 - Tripod Leg Height Adjustment

The height of each tripod leg can be separately adjusted as needed.

- To adjust the height of a leg pull off the wire pin lock (C) on the leg height locking pin (D). Pull out the leg height locking pin completely. (If the tripod is upright, support the tripod to prevent it from tipping over when the leg height locking pin is removed.)
- After the leg height locking pin has been removed, pull the telescoping leg out (E), or push it in, to achieve the required leg height.
- Reinsert the leg height locking pin (pin holes in the outer and inner leg tubes must align so that the pin can be reinserted). Pull the wire pin lock back over the exposed end of the leg height locking pin to secure it.

Repeat for each leg as necessary to bring the tripod to the required working height. Index numbers on each leg can be used as a visual aid during leg height adjustment.

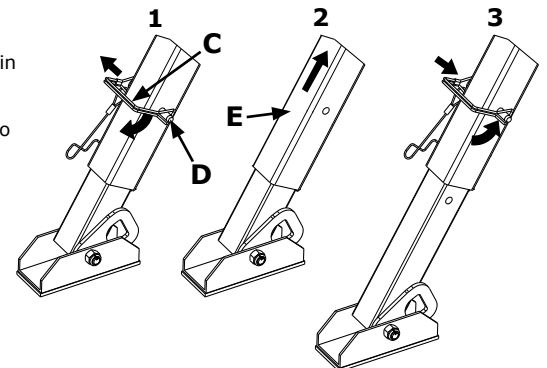


Figure 4 - Secure Tripod Legs With Chain

The included leg chain (F) is used to prevent the spread of the three tripod legs beyond their locked position.

Feed the chain through each of the chain retainers (G) in the three tripod feet.

While keeping the tripod legs in position, pull the leg chain tight through the chain retainers. Secure the chain ends with the chain hook (H).

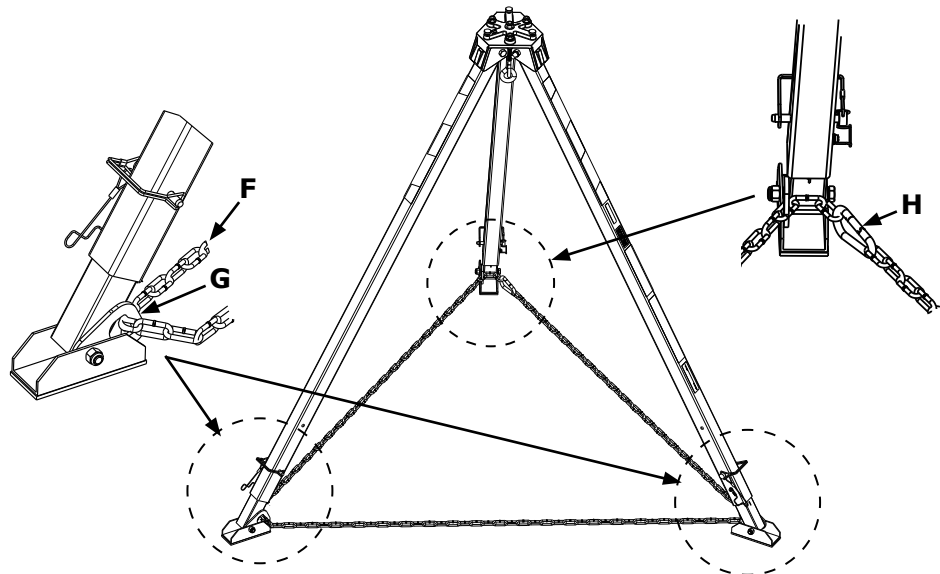


Figure 5 - Position Tripod Over Entry Point

Confirm that the tripod is positioned on a firm surface.

The eyebolt anchor point at the center of the tripod head (I) must be located centrally over the entry shaft or hole.

Note: Only the center eyebolt anchor point (I) can be used for fall arrest.

Confirm that there is adequate clearance (J) between the tripod feet and the edge of the entry shaft or hole.

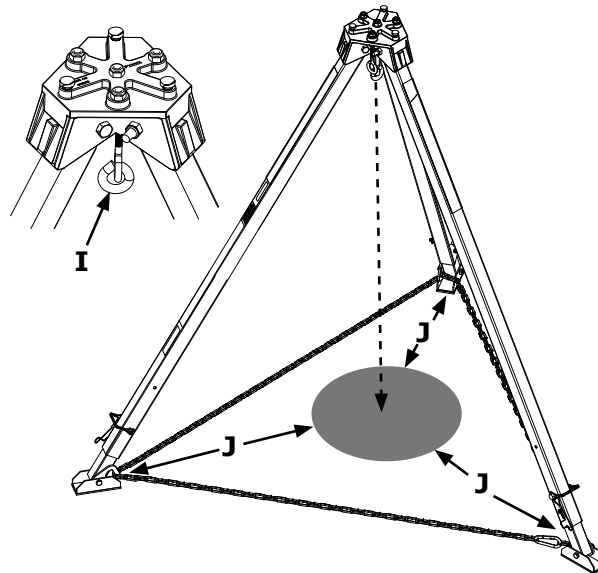


Figure 6 - Tripod Use

This figure illustrates an example of the use of the Protecta Tripod for confined space entry fall protection. A Protecta Rebel Retrieval SRL-R is mounted on a leg of the tripod using a bracket. The SRL lifeline is routed through a pulley attached to the eyebolt anchor point at the center of the tripod head.

See the specific instructions included with your entry safety equipment for installation and use details.

Ensure that road safety considerations are followed. Do not leave an open shaft unattended.

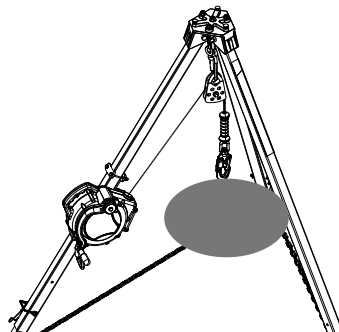
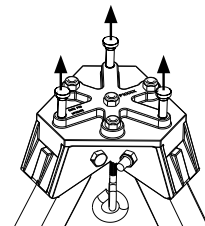


Figure 7 - Dismantle Tripod After Use

Close the entry point by replacing cover or blocking the entry shaft or hole. Remove the entry safety equipment from the tripod eyebolt anchor point and bracket (if used). Collapse the telescoping legs by removing the leg height locking pins (see Figure 3) and telescope the legs back to their lowest locking point. Insert pins.

Stand the tripod vertically and pull the leg locking pins up. Swing the legs inward to the center.

Place the tripod in the carrying bag for transportation or storage.



INSPECTION

Before using the Protecta Tripod:

Check all structural parts for damage, dents, cracked welds, bent or crushed tubes.

Check all hardware (pins, screws, nuts, bolts, pulleys, rollers and brackets) for damaged threads, bent, damaged or missing fasteners and loose fasteners.

Inspect all equipment for missing, damaged or otherwise illegible warning labels. Any damaged, missing or illegible labels must be replaced before using the tripod.

Any winches, self-retracting lifelines (SRLs), work positioning or fall-arrest equipment used with your Protecta Tripod must be installed, inspected, maintained and operated according to the manufacturer's instructions.

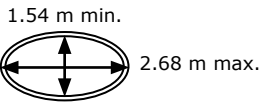
Weekly Inspection: Perform a complete visual inspection as outlined in "Before using the Protecta Tripod." Clean equipment as required, thoroughly inspect all welds, labels, pins, fasteners, brackets and parts. Record all findings on a copy of the "hoist inspection log. If any problems are found with the equipment DO NOT USE until it has been repaired.

Annual Inspection: Clean tripod thoroughly using a damp cloth and a mild soap solution. Perform a complete visual inspection as described in "Before using the Protecta Tripod" above. More frequent inspections by a competent person¹ may be required based on the nature and severity of workplace conditions affecting the equipment and the modes of use and exposure time of the equipment. Record all findings in Table 1 "Tripod Inspection Checklist."

If any problems are found do not use the tripod until it has been repaired.

SPECIFICATIONS

Tripod Legs: Anodized Aluminum
 Tripod Head: Cast Aluminum
 Maximum Load: 1 or 2 users
 Working Height: 53" to 92.5"
 (1.35 to 2.35 m)
 Weight: 30 lbs (13.5 kg)
 Packaged Length: 67" (1.7 m)
 Test Standard: Z359.1-2007, Z359.4-2007
 Height Setting Points: 1 - 8
 Working Field:



¹ **COMPETENT PERSON:** An individual designated by the employer to be responsible for the immediate supervision, implementation, and monitoring of the employer's managed fall protection program who, through training and knowledge, is capable of identifying, evaluating, and addressing existing and potential fall hazards, and who has the employer's authority to take prompt corrective action with regard to such hazards.

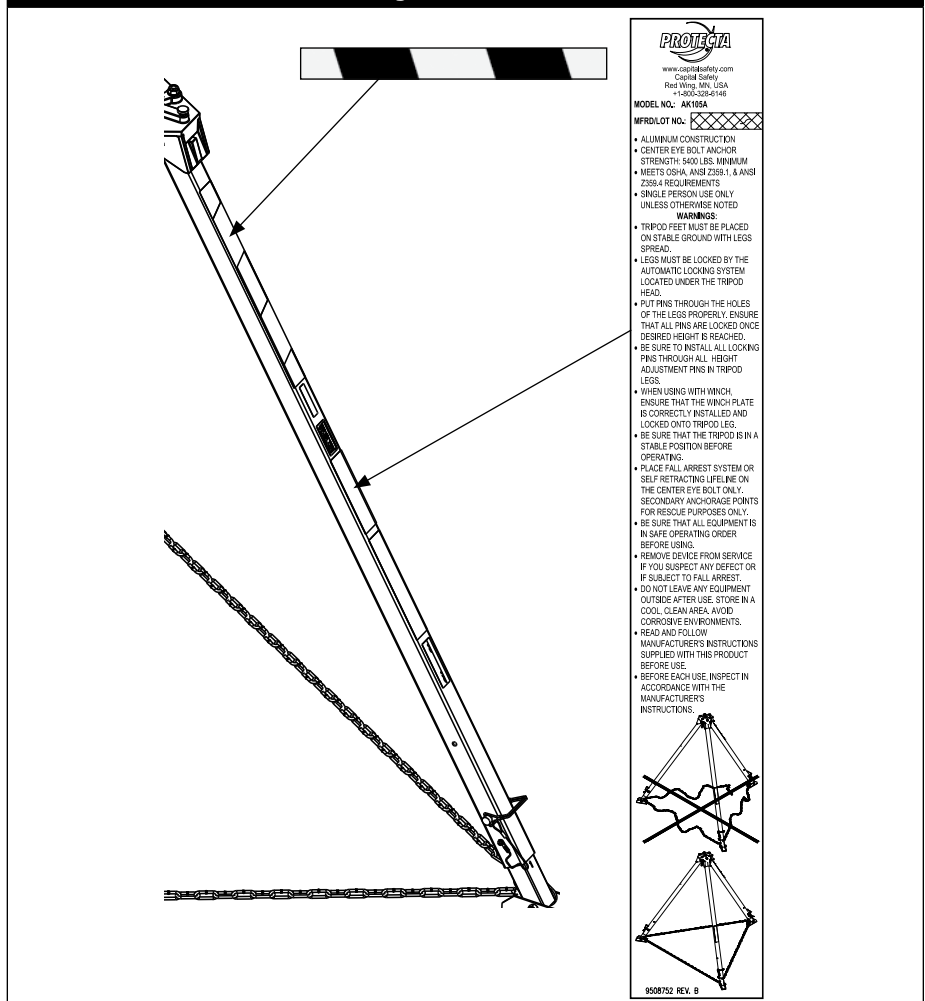
Table 1 - Tripod Inspection Checklist

Inspection:	User	Competent Person
Inspect for loose or missing fasteners, pins and bent or damaged parts.	<input type="checkbox"/>	<input type="checkbox"/>
Inspect for dents, distortion, cracks, corrosion or other damage.	<input type="checkbox"/>	<input type="checkbox"/>
Inspect for smooth operation of leg locking pins.	<input type="checkbox"/>	<input type="checkbox"/>
All labels must be present and fully legible (labels identified in Figure 8).	<input type="checkbox"/>	<input type="checkbox"/>

Corrective Action/Maintenance:	Approved By:
	Date:
Corrective Action/Maintenance:	Approved By:
	Date:
Corrective Action/Maintenance:	Approved By:
	Date:
Corrective Action/Maintenance:	Approved By:
	Date:
Corrective Action/Maintenance:	Approved By:
	Date:
Corrective Action/Maintenance:	Approved By:
	Date:

LABELS

Figure 8 - Labels



LIMITED LIFETIME WARRANTY

Warranty to End User: D B Industries, Inc., dba CAPITAL SAFETY USA ("CAPITAL SAFETY") warrants to the original end user ("End User") that its products are free from defects in materials and workmanship under normal use and service. This warranty extends for the lifetime of the product from the date the product is purchased by the End User, in new and unused condition, from a CAPITAL SAFETY authorized distributor. CAPITAL SAFETY'S entire liability to End User and End User's exclusive remedy under this warranty is limited to the repair or replacement in kind of any defective product within its lifetime (as CAPITAL SAFETY in its sole discretion determines and deems appropriate). No oral or written information or advice given by CAPITAL SAFETY, its distributors, directors, officers, agents or employees shall create any different or additional warranties or in any way increase the scope of this warranty. CAPITAL SAFETY will not accept liability for defects that are the result of product abuse, misuse, alteration or modification, or for defects that are due to a failure to install, maintain, or use the product in accordance with the manufacturer's instructions.

CAPITAL SAFETY'S WARRANTY APPLIES ONLY TO THE END USER. THIS WARRANTY IS THE ONLY WARRANTY APPLICABLE TO OUR PRODUCTS AND IS IN LIEU OF ALL OTHER WARRANTIES AND LIABILITIES, EXPRESSED OR IMPLIED. CAPITAL SAFETY EXPRESSLY EXCLUDES AND DISCLAIMS ANY IMPLIED WARRANTIES OF MERCHANTABILITY OR FITNESS FOR A PARTICULAR PURPOSE, AND SHALL NOT BE LIABLE FOR INCIDENTAL, PUNITIVE OR CONSEQUENTIAL DAMAGES OF ANY NATURE, INCLUDING WITHOUT LIMITATION, LOST PROFITS, REVENUES, OR PRODUCTIVITY, OR FOR BODILY INJURY OR DEATH OR LOSS OR DAMAGE TO PROPERTY, UNDER ANY THEORY OF LIABILITY, INCLUDING WITHOUT LIMITATION, CONTRACT, WARRANTY, STRICT LIABILITY, TORT (INCLUDING NEGLIGENCE) OR OTHER LEGAL OR EQUITABLE THEORY.



Trusted Quality Fall Protection

CSG USA & Latin America

3833 SALA Way
Red Wing, MN 55066-5005
Toll Free: 800.328.6146
Phone: 651.388.8282
Fax: 651.388.5065
solutions@capitalsafety.com

CSG Canada

260 Export Boulevard
Mississauga, ON L5S 1Y9
Phone: 905.795.9333
Toll-Free: 800.387.7484
Fax: 888.387.7484
info.ca@capitalsafety.com

CSG Northern Europe

5a Merse Road
North Moons, Moat
Reditch, Worcestershire, UK
B98 9HL
Phone: + 44 (0)1527 548 000
Fax: + 44 (0)1527 591 000
csgne@capitalsafety.com

CSG EMEA (Europe, Middle East, Africa)

Le Broc Center
Z.I. 1ère Avenue
5600 M B.P. 15
06511 Carros Le Broc Cedex
France
Phone: + 33 4 97 10 00 10
Fax: + 33 4 93 08 79 70
information@capitalsafety.com

CSG Australia & New Zealand

95 Derby Street
Silverwater
Sydney NSW 2128
AUSTRALIA
Phone: +(61) 2 8753 7600
Toll-Free : 1 800 245 002 (AUS)
Toll-Free : 0800 212 505 (NZ)
Fax: +(61) 2 8753 7603
sales@capitalsafety.com.au

CSG Asia

Singapore:
16S, Enterprise Road
Singapore 627666
Phone: +65 - 65587758
Fax: +65 - 65587058
inquiry@capitalsafety.com

Shanghai:

Rm 1406, China Venturetech Plaza
819 Nan Jing Xi Rd,
Shanghai 200041, P R China
Phone: +86 21 62539050
Fax: +86 21 62539060

www.capitalsafety.com

